

TYPE OF PACKAGING	FIGURE	A1 / H (MM)	A2 (MM)	A3 (MM)	B1 / d (MM)	B2 / D (MM)	FILLING WEIGHT
SD 100	1	100	38	16,5	38.5	45	1 kg
SD 200	1	200	105	50,5	45	55	5 kg
SD 300 K	1	300	212	51,5	91	103	15 kg
BS 300 (metal spools)	2	300	188	51,5		100	15 kg
Barrel 200 kg	3	920			310	570	200 kg
5 kg fibercard tubes	4	1020	26	34	38	46	5 kg

### TYPE OF PACKAGING

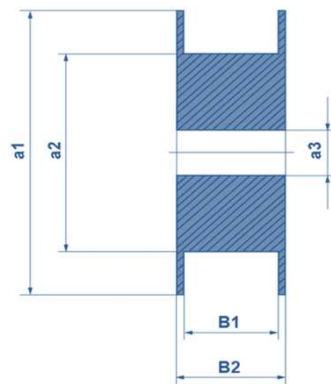


Figure 1

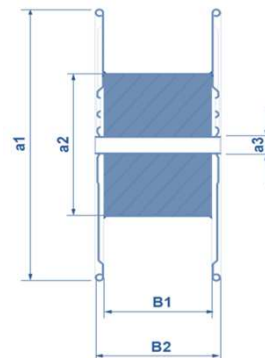


Figure 2

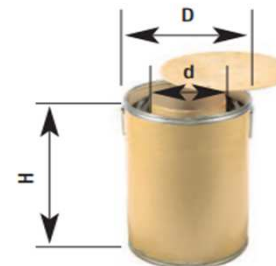


Figure 3

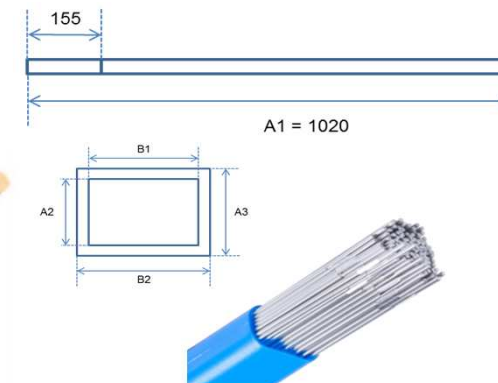


Figure 4